

BS EN 671-1:2012



BSI Standards Publication

Fixed firefighting systems — Hose systems

Part 1: Hose reels with semi-rigid hose

NO COPYING WITHOUT BSI PERMISSION EXCEPT AS PERMITTED BY COPYRIGHT LAW

raising standards worldwide™



National foreword

This British Standard is the UK implementation of EN 671-1:2012. It supersedes BS EN 671-1:2001 which is withdrawn.

The UK participation in its preparation was entrusted to Technical Committee FSH/18/11, Hose reel systems.

A list of organizations represented on this committee can be obtained on request to its secretary.

This publication does not purport to include all the necessary provisions of a contract. Users are responsible for its correct application.

© The British Standards Institution 2012. Published by BSI Standards Limited 2012

ISBN 978 0 580 75375 6

ICS 13.220.10

Compliance with a British Standard cannot confer immunity from legal obligations.

This British Standard was published under the authority of the Standards Policy and Strategy Committee on 30 April 2012.

Amendments issued since publication

| Date | Text affected |
|------|---------------|
|------|---------------|

English Version

**Fixed firefighting systems - Hose systems - Part 1: Hose reels
with semi-rigid hose**

Installations fixes de lutte contre l'incendie - Systèmes
équipés de tuyaux - Partie 1: Robinets d'incendie armés
équipés de tuyaux semi-rigides

Ortsfeste Löschanlagen - Wandhydranten - Teil 1:
Schlauchhaspeln mit formstabilem Schlauch

This European Standard was approved by CEN on 9 March 2012.

CEN members are bound to comply with the CEN/CENELEC Internal Regulations which stipulate the conditions for giving this European Standard the status of a national standard without any alteration. Up-to-date lists and bibliographical references concerning such national standards may be obtained on application to the CEN-CENELEC Management Centre or to any CEN member.

This European Standard exists in three official versions (English, French, German). A version in any other language made by translation under the responsibility of a CEN member into its own language and notified to the CEN-CENELEC Management Centre has the same status as the official versions.

CEN members are the national standards bodies of Austria, Belgium, Bulgaria, Croatia, Cyprus, Czech Republic, Denmark, Estonia, Finland, France, Germany, Greece, Hungary, Iceland, Ireland, Italy, Latvia, Lithuania, Luxembourg, Malta, Netherlands, Norway, Poland, Portugal, Romania, Slovakia, Slovenia, Spain, Sweden, Switzerland, Turkey and United Kingdom.



EUROPEAN COMMITTEE FOR STANDARDIZATION
COMITÉ EUROPÉEN DE NORMALISATION
EUROPÄISCHES KOMITEE FÜR NORMUNG

Management Centre: Avenue Marnix 17, B-1000 Brussels

Contents

Page

| | |
|--|----|
| Foreword..... | 5 |
| Introduction | 6 |
| 1 Scope | 6 |
| 2 Normative references | 6 |
| 3 Terms and definitions | 6 |
| 4 Requirements | 7 |
| 4.1 General..... | 7 |
| 4.2 Distribution of extinguishing media | 7 |
| 4.2.1 Hose bore | 7 |
| 4.2.2 Minimum flow rate | 7 |
| 4.2.3 Effective throw range | 8 |
| 4.2.4 Spray discharge | 8 |
| 4.3 Operational reliability | 8 |
| 4.3.1 Hose — General | 8 |
| 4.3.2 Shut-off nozzle — General | 9 |
| 4.3.3 Reel — Construction | 9 |
| 4.3.4 Reel — Rotating..... | 9 |
| 4.3.5 Reel — Swinging | 9 |
| 4.3.6 Reel — Resistance to impact and load | 9 |
| 4.3.7 Shut-off nozzle — Resistance to impact..... | 9 |
| 4.3.8 Shut-off nozzle — Operating torque..... | 9 |
| 4.3.9 Inlet stop valve — General | 9 |
| 4.3.10 Inlet stop valve — Manual inlet stop valve | 9 |
| 4.3.11 Inlet stop valve — Automatic inlet stop valve | 10 |
| 4.3.12 Hydraulic properties — Resistance to internal pressure..... | 10 |
| 4.3.13 Hydraulic properties — Strength..... | 10 |
| 4.4 Ability to pull out the hose..... | 10 |
| 4.4.1 Reel — Unwinding load..... | 10 |
| 4.4.2 Reel — Dynamic braking..... | 11 |
| 4.4.3 Hose — Maximum length | 11 |
| 4.5 Colour | 11 |
| 4.6 Shut-off nozzle | 11 |
| 4.6.1 Marking of control conditions - Rotary operated nozzles | 11 |
| 4.6.2 Marking of control conditions - Lever and trigger operated nozzles | 11 |
| 4.7 Cabinet..... | 11 |
| 4.7.1 General..... | 11 |
| 4.7.2 Opening/closing device | 12 |
| 4.7.3 Cabinet for manual hose reel with screw down type valve..... | 12 |
| 4.7.4 Identification symbol..... | 12 |
| 4.8 Durability aspects - Durability of operational reliability | 12 |
| 4.8.1 Resistance to corrosion on coated parts..... | 12 |
| 4.8.2 Resistance to corrosion of waterways | 12 |
| 4.8.3 Ageing tests for plastics materials | 12 |
| 5 Test methods..... | 13 |
| 5.1 General..... | 13 |
| 5.2 Distribution of extinguishing media | 13 |
| 5.2.1 Hose bore | 13 |
| 5.2.2 Minimum flow rate | 13 |
| 5.2.3 Effective throw range | 13 |

| | | |
|--|---|-----------|
| 5.2.4 | Spray discharge..... | 13 |
| 5.3 | Operational reliability..... | 13 |
| 5.3.1 | Hose – General..... | 13 |
| 5.3.2 | Shut-off nozzle – General..... | 13 |
| 5.3.3 | Reel – Construction..... | 13 |
| 5.3.4 | Reel – Rotating..... | 13 |
| 5.3.5 | Reel – Swinging..... | 13 |
| 5.3.6 | Reel – Resistance to impact and load..... | 13 |
| 5.3.7 | Shut-off nozzle – Resistance to impact..... | 13 |
| 5.3.8 | Shut-off nozzle – Operating torque..... | 14 |
| 5.3.9 | Inlet stop valve – General..... | 14 |
| 5.3.10 | Inlet stop valve – Manual inlet stop valve..... | 14 |
| 5.3.11 | Inlet stop valve – Automatic inlet stop valve..... | 14 |
| 5.3.12 | Hydraulic properties – Resistance to internal pressure..... | 14 |
| 5.3.13 | Hydraulic properties – Strength..... | 14 |
| 5.4 | Ability to pull out the hose..... | 14 |
| 5.4.1 | Reel – Unwinding load..... | 14 |
| 5.4.2 | Reel – Dynamic braking..... | 14 |
| 5.4.3 | Hose – Maximum length..... | 14 |
| 5.5 | Colour..... | 14 |
| 5.6 | Shut-off nozzle..... | 14 |
| 5.7 | Cabinet..... | 14 |
| 5.8 | Durability of operational reliability..... | 15 |
| 5.8.1 | Resistance to external corrosion on coated parts..... | 15 |
| 5.8.2 | Resistance to corrosion of waterways..... | 15 |
| 5.8.3 | Ageing tests for plastics materials..... | 15 |
| 6 | Evaluation of conformity..... | 15 |
| 6.1 | General..... | 15 |
| 6.2 | Initial Type Testing – Type Testing..... | 15 |
| 6.2.1 | General..... | 15 |
| 6.2.2 | Test samples..... | 16 |
| 6.2.3 | Test reports..... | 16 |
| 6.3 | Factory Production Control (FPC)..... | 16 |
| 6.3.1 | General..... | 16 |
| 6.3.2 | Requirements..... | 17 |
| 6.3.3 | Product specific requirements..... | 19 |
| 6.3.4 | Initial inspection of factory and of FPC..... | 20 |
| 6.3.5 | Continuous surveillance of FPC..... | 20 |
| 6.3.6 | Procedure for modifications..... | 21 |
| 6.3.7 | One-off products, pre-production products (e.g. prototypes) and products produced in very low quantity..... | 21 |
| 7 | Marking..... | 22 |
| 8 | Instruction..... | 22 |
| 8.1 | Instructions for use..... | 22 |
| 8.2 | Installation and maintenance instructions..... | 22 |
| Annex A (normative) Schedule for testing sequence..... | | 23 |
| Annex B (normative) Test method for resistance to external corrosion of coated parts..... | | 24 |
| Annex C (normative) Ageing test for resistance of plastics materials..... | | 25 |
| Annex D (normative) Test method for resistance to corrosion of waterways..... | | 26 |
| Annex E (normative) Test methods for nozzle..... | | 27 |
| E.1 | Resistance to impact..... | 27 |
| E.2 | Operating torque..... | 27 |
| E.3 | Spray discharge..... | 27 |
| E.4 | Flow rate and throw range..... | 29 |
| E.4.1 | Flow rate..... | 29 |

| | | |
|-----------------|--|-----------|
| E.4.2 | Throw range | 30 |
| Annex F | (normative) Test methods for physical endurance | 31 |
| F.1 | General..... | 31 |
| F.2 | Test method for rotation | 31 |
| F.3 | Test method for swinging | 31 |
| F.4 | Test method for unwinding load | 31 |
| F.5 | Test method for dynamic braking | 31 |
| F.6 | Test method for resistance to impact and load..... | 32 |
| F.6.1 | Impact test | 32 |
| F.6.2 | Load test | 33 |
| F.7 | Test method for resistance to internal pressure | 33 |
| F.8 | Test method for strength | 34 |
| Annex ZA | (informative) Clauses of this European Standard addressing the provisions of EU | |
| | Construction Products Directive..... | 35 |
| ZA.1 | Scope and relevant characteristics | 35 |
| ZA.2 | Procedure for the attestation of conformity of hose reel with semi-rigid hose | 37 |
| ZA.2.1 | System of attestation of conformity | 37 |
| ZA.2.2 | EC certificate of conformity | 39 |
| ZA.3 | CE marking and labelling..... | 39 |

Foreword

This document (EN 671-1:2012) has been prepared by Technical Committee CEN/TC 191 “Fixed firefighting systems”, the secretariat of which is held by BSI.

This document shall be given the status of a national standard, either by publication of an identical text or by endorsement, at the latest by October 2012 and conflicting national standards shall be withdrawn at the latest by January 2014.

Attention is drawn to the possibility that some of the elements of this document may be the subject of patent rights. CEN [and/or CENELEC] shall not be held responsible for identifying any or all such patent rights.

This document supersedes EN 671-1:2001.

EN 671-1:2001 has been technically revised and editorially edited. The order of clauses has been changed. Annex ZA has been updated.

This document has been prepared under a mandate given to CEN by the European Commission and the European Free Trade Association, and supports essential requirements of EU Directive(s).

For relationship with EU Directive(s), see informative Annex ZA, which is an integral part of this document.

For convenience of application in testing, the normative annexes of this European Standard are arranged so that Annex A gives the sequence of testing for conformity assessment and Annexes B, C, D, E and F are in the correct sequence for testing.

EN 671 has the general title “Fixed firefighting systems — Hose systems” and is in three parts:

- *Part 1: Hose reels with semi-rigid hose;*
- *Part 2: Hose systems with lay-flat hose;*
- *Part 3: Maintenance of hose reels with semi-rigid hose and hose systems with lay-flat hose.*

According to the CEN/CENELEC Internal Regulations, the national standards organizations of the following countries are bound to implement this European Standard: Austria, Belgium, Bulgaria, Croatia, Cyprus, Czech Republic, Denmark, Estonia, Finland, France, Germany, Greece, Hungary, Iceland, Ireland, Italy, Latvia, Lithuania, Luxembourg, Malta, Netherlands, Norway, Poland, Portugal, Romania, Slovakia, Slovenia, Spain, Sweden, Switzerland, Turkey and the United Kingdom.

Introduction

Fire hose reels in proper condition provide a very effective firefighting facility with a continuous supply of water available immediately.

The requirements of this European Standard have been specified to ensure that hose reels can be operated efficiently by one person and that such systems have a long service life.

1 Scope

This European Standard specifies requirements and methods of test for the construction and performance of fire hose reel systems with semi-rigid hose for installation in buildings, permanently connected to a water supply, for use by the occupants.

It also provides requirements on evaluation of conformity and marking of these products.

Its requirements may apply in general for other applications, for example in marine applications or in aggressive environments, but additional requirements can be necessary in such cases.

This European Standard is applicable to both manual and automatic fire hose reels for installation with and without cabinets.

2 Normative references

The following documents, in whole or in part, are normatively referenced in this document and are indispensable for its application. For dated references, only the edition cited applies. For undated references, the latest edition of the referenced document (including any amendments) applies.

EN 671-3, *Fixed firefighting systems — Hose systems — Part 3: Maintenance of hose reels with semi-rigid hose and hose systems with lay-flat hose*

EN 694, *Fire-fighting hoses — Semi-rigid hoses for fixed systems*

EN ISO 4892-2:2006, *Plastics — Methods of exposure to laboratory light sources — Part 2: Xenon-arc lamps (ISO 4892-2:2006)*

EN ISO 9227:2006, *Corrosion tests in artificial atmospheres — Salt spray tests (ISO 9227:2006)*

ISO 7010, *Graphical symbols — Safety colours and safety signs — Registered safety signs*

3 Terms and definitions

For the purposes of this document, the following terms and definitions apply.

3.1 automatic fire hose reel; automatic hose reel
firefighting appliance consisting essentially of a reel with water supplied through the centre, automatic inlet stop valve, semi-rigid hose, shut-off nozzle and, where required, a hose guide

3.2

fixed fire hose reel; fixed hose reel

hose reel capable only of rotating in one plane with a hose guide adjacent to the reel

3.3

manual fire hose reel; manual hose reel

firefighting appliance consisting of a reel with water supplied through the centre, manual inlet stop valve adjacent to the reel, semi-rigid hose, shut-off nozzle and, where required, a hose guide

3.4

maximum working pressure

maximum allowable pressure for which the hose reel is designed

Note 1 to entry: All pressures are gauge pressures and are expressed in Mega Pascal (1 MPa = 10 bar).

3.5

reel and valve subassembly

part of a fire hose reel assembly consisting of a reel, automatic inlet stop valve (if fitted) and the connection to the reel, but excluding semi-rigid hose, shut-off nozzle and connectors or couplings

3.6

shut-off nozzle

component, at the end of the hose, used to direct and control the discharge of water

3.7

swinging fire hose reel; swinging hose reel

hose reel capable of rotating and swinging in more than one plane and mounted on one of the following:

- swinging arm, or
- swinging pipe, or
- swinging door

4 Requirements

4.1 General

Conformity with the requirements given in this Clause 4 shall be verified by testing in accordance with Clause 5.

4.2 Distribution of extinguishing media

4.2.1 Hose bore

The inside diameter of the hose shall be one of the following:

- 19 mm, or
- 25 mm, or
- 33 mm.

4.2.2 Minimum flow rate

The flow rates in jet and spray settings shall be according to Table 1.

Table 1 — Minimum flow rates and minimum *K*-coefficient according to pressure

| Nozzle- or equivalent diameter mm | Minimum flow rate <i>Q</i> l/min | | | <i>K</i> -coefficient ^a |
|--------------------------------------|-------------------------------------|--------------------|--------------------|------------------------------------|
| | <i>P</i> = 0,2 MPa | <i>P</i> = 0,4 MPa | <i>P</i> = 0,6 MPa | |
| 4 | 12 | 18 | 22 | 9 |
| 5 | 18 | 26 | 31 | 13 |
| 6 | 24 | 34 | 41 | 17 |
| 7 | 31 | 44 | 53 | 22 |
| 8 | 39 | 56 | 68 | 28 |
| 9 | 46 | 66 | 80 | 33 |
| 10 | 59 | 84 | 102 | 42 |
| 12 | 90 | 128 | 156 | 64 |

^a Flow rate *Q* at a pressure *P* is related to the equation $Q = K\sqrt{10P}$, where *Q* is in l/min and *P* is in MPa.

4.2.3 Effective throw range

The effective throw ranges of the discharges at a pressure of 0,2 MPa shall not be less than as follows (as appropriate):

- a) jet discharge: 10 m;
- b) sheet spray discharge: 6 m;
- c) conical spray discharge: 3 m.

4.2.4 Spray discharge

Nozzles with a spray setting shall give a spray angle as follows:

- a) sheet spray: 90° ± 5°;
- b) conical spray: not less than 45°.

4.3 Operational reliability

4.3.1 Hose — General

The hose shall be semi-rigid and according to EN 694.

4.3.2 Shut-off nozzle — General

The hose shall terminate in a shut-off nozzle, which shall give the following control settings:

- a) shut;
- b) spray;
- c) jet.

It is recommended that the sequence should be as above with the spray setting between the shut setting and the jet setting.

Any spray discharge shall be in the form of either a sheet spray or a conical spray.

Trigger operated shut-off nozzles shall be self closing.

4.3.3 Reel – Construction

The reel shall rotate around a spindle.

The reel shall consist of two wheels with a maximum diameter not more than 800 mm, and inside segments or drum with a minimum diameter not less than 200 mm for 19 mm and 25 mm hose and a minimum diameter not less than 280 mm for 33 mm hose.

4.3.4 Reel – Rotating

Hose reels shall show no visible leakage after rotation.

4.3.5 Reel – Swinging

Swinging hose reels shall be able to swing to minimum 170° and show no visible leakage or damage.

4.3.6 Reel – Resistance to impact and load

No deformation which may harm the function of the reel shall occur on the reel itself, or of the hose fittings at the reel inlet and outlet.

4.3.7 Shut-off nozzle – Resistance to impact

The nozzle shall not break or show any visible leakage.

4.3.8 Shut-off nozzle – Operating torque

The torque necessary to operate the nozzle to each control setting (i.e. operating, spray, jet or flow rate control) at maximum working pressure shall not exceed 4 Nm for 19 mm and 25 mm diameter hose and 7 Nm for 33 mm diameter hose.

4.3.9 Inlet stop valve – General

A stop valve shall be fitted to the hose reel.

4.3.10 Inlet stop valve – Manual inlet stop valve

The manual inlet stop valve shall be closed by turning the handle or hand wheel in a clockwise direction.

The direction of opening shall be marked.

Screw down valves shall be fully open after maximum 3½ turns of the hand wheel.

NOTE 1 It is recommended that an interlocking device be fitted so that the nozzle cannot be withdrawn unless the water supply is first turned on by opening of the manual stop valve.

NOTE 2 The valve may be of screw down-type or quick-opening type. In selecting the type of stop valve to be used, the effect of water hammer should be considered.

4.3.11 Inlet stop valve – Automatic inlet stop valve

An automatic inlet stop valve shall be fully opened by not more than 3 complete revolutions of the reel. No visible leakage shall occur.

NOTE To assist ease of maintenance for hose reels fitted with automatic valves, consideration should be given to water supply isolation valves.

4.3.12 Hydraulic properties – Resistance to internal pressure

Hose reels shall not leak.

4.3.13 Hydraulic properties – Strength

Reels shall not burst at less than the appropriate minimum burst pressure given in Table 2.

Table 2 — Maximum working, test and minimum burst pressure for hose reels

| Inside diameter of hose mm | Maximum working pressure MPa | Test pressure MPa | Minimum burst pressure MPa |
|-------------------------------|---------------------------------|----------------------|-------------------------------|
| 19 | 1,2 | 1,8 | 3,0 |
| 25 | 1,2 | 1,8 | 3,0 |
| 33 | 0,7 | 1,05 | 1,75 |

4.4 Ability to pull out the hose

4.4.1 Reel — Unwinding load

The forces to unwind the hose in any horizontal direction shall not exceed the appropriate values given in Table 3.

Table 3 — Forces to unwind the hose

| Hose inside diameter mm | Maximum initial force without hose guide N | Maximum initial force at any point with hose guide N | Maximum force at any point to pull out the entire hose N |
|----------------------------|---|---|---|
| 19 | 70 | 150 | 250 |
| 25 | 70 | 200 | 300 |
| 33 | 100 | 300 | 350 |

4.4.2 Reel — Dynamic braking

Rotation of the reel shall stop within one turn.

4.4.3 Hose — Maximum length

The length of the hose shall be in one piece and should not exceed 30 m.

4.5 Colour

The colour of the reel shall be red.

4.6 Shut-off nozzle

4.6.1 Marking of control conditions - Rotary operated nozzles

Rotary operated nozzles shall be marked to show the direction of closing and opening.

4.6.2 Marking of control conditions - Lever and trigger operated nozzles

Lever and trigger operated nozzles shall be marked to show the settings for:

- a) shut;
- b) spray;
- c) jet.

4.7 Cabinet

4.7.1 General

Cabinet for a hose reel shall be fitted with a door. Cabinet doors shall open to minimum 170° to allow the hose to be run out freely in any direction. Cabinet shall be free of sharp edges, which might damage the equipment or cause injury.

Lockable cabinet shall be provided with an emergency opening device, which may be protected only by transparent frangible material. To provide access for inspection and maintenance, the cabinet shall be unlock able with a key.

If the emergency opening device is protected by a frangible glass front this shall be of the type which when broken does not leave jagged or sharp edges, which might cause injury when the emergency opening is operated.

When transparent material is used as a part of the construction of the door then this shall not be used as the emergency access to the hose reel.

Cabinet may also be used to contain other firefighting equipment, provided that the cabinet is of sufficient size and the equipment does not interfere with the prompt use of the hose reel.

For service in some climatic conditions it may be necessary to provide the cabinet with suitable ventilating openings.

4.7.2 Opening/closing device

An opening/closing device of the cabinet shall be provided to allow periodical inspection and maintenance. The opening device shall have provision for a security seal to be fitted.

The force necessary to open and secure the seal shall be not less than 20 N and not more than 40 N.

4.7.3 Cabinet for manual hose reel with screw down type valve

The screw down valve shall be positioned in the cabinet for manual hose reel in such a way that there is at least 35 mm free space around the external diameter of the hand wheel, when the valve is in any position from fully open to fully closed.

4.7.4 Identification symbol

Hose reel cabinet shall be marked with the symbol *Fire hose reel*, Reference nr. F002, in ISO 7010.

NOTE The symbol may have a luminescent surface.

4.8 Durability aspects - Durability of operational reliability

4.8.1 Resistance to corrosion on coated parts

Any coated parts of the hose reel with semi-rigid hose shall provide adequate protection (see Annex B).

NOTE The advice of the hose reel manufacturer should be requested in cases of special corrosion risk.

4.8.2 Resistance to corrosion of waterways

There shall be no significant corrosion defects (see Annex D) and the mechanical operation of all working parts shall be unimpaired.

4.8.3 Ageing tests for plastics materials

Samples or test pieces of plastic materials used in components subjected to a mechanical and/or hydraulic effort shall not show cracking or crazing after aging test.

5 Test methods

5.1 General

To verify the conformity with the requirements in Clause 4, the following test methods shall be used. The test indicated in the clauses shall be carried out according to the sequence shown in Annex A, Table A.1.

5.2 Distribution of extinguishing media

5.2.1 Hose bore

The hose bore shall be tested according to EN 694.

5.2.2 Minimum flow rate

The flow rates shall be tested in accordance with E.4.1 at a pressure of 0,6 MPa.

5.2.3 Effective throw range

The effective throw ranges shall be determined in accordance with E.4.2.

5.2.4 Spray discharge

Spray discharge shall be determined in accordance with E.3.

5.3 Operational reliability

5.3.1 Hose – General

Verification shall be in compliance with EN 694.

5.3.2 Shut-off nozzle – General

Visual inspections shall be done during tests in E.3.

5.3.3 Reel – Construction

The dimension shall be determined by a meter or another ordinary equipment.

5.3.4 Reel – Rotating

Hose reels shall be tested in accordance with F.2.

5.3.5 Reel – Swinging

Swinging hose reels shall be tested in accordance with F.3.

5.3.6 Reel – Resistance to impact and load

The hose reel shall be tested in accordance with F.6.

5.3.7 Shut-off nozzle – Resistance to impact

The shut-off nozzle shall be tested in accordance with E.1.

5.3.8 Shut-off nozzle – Operating torque

The operating torque shall be tested according with E.2.

5.3.9 Inlet stop valve – General

The provisions of 4.3.9 shall be verified by visual inspection.

5.3.10 Inlet stop valve – Manual inlet stop valve

The provisions of 4.3.10 shall be verified by visual inspection. For screw down valve, open the valve until it stops and check that the number of rotations is not more than three and a half.

5.3.11 Inlet stop valve – Automatic inlet stop valve

An automatic inlet stop valve shall be tested in accordance with F.2.

5.3.12 Hydraulic properties – Resistance to internal pressure

Hose reels shall be tested to the appropriate test pressure given in Table 2 in accordance with F.7.

5.3.13 Hydraulic properties – Strength

Testing without the hose shall be in accordance with F.8.

5.4 Ability to pull out the hose

5.4.1 Reel – Unwinding load

The hose reel shall be tested in accordance with F.4.

5.4.2 Reel – Dynamic braking

The hose reel shall be tested in accordance with F.5.

5.4.3 Hose – Maximum length

The maximum length shall be tested in accordance with EN 694.

5.5 Colour

The colour of the reel shall be visually inspected.

5.6 Shut-off nozzle

Visual inspections shall be done during tests in E.3.

Shut-off nozzle shall be inspected for marking of direction for opening and closing.

Lever and trigger operated nozzles shall be inspected that they are marked with settings for shut, spray and jet.

5.7 Cabinet

Check that the minimum angle of opening of the cabinet is 170° using an appropriate measuring device.

If a security seal is fitted, check that the necessary force to break the seal is between 20 N and 40 N using an appropriate measuring device.

If a screw down stop valve is fitted, measure the distance between the hand wheel of the screw down stop valve and the cabinet and check that is not less than 35 mm.

The remaining properties in 4.6 have to be visually inspected.

5.8 Durability of operational reliability

5.8.1 Resistance to external corrosion on coated parts

Resistance to external corrosion shall be tested in accordance with Annex B.

5.8.2 Resistance to corrosion of waterways

The waterways shall be tested in accordance with Annex D.

5.8.3 Ageing tests for plastics materials

It shall be in accordance with Annex C.

6 Evaluation of conformity

6.1 General

The compliance of hose reels with semi-rigid hose to the requirements of this European Standard and with the stated values (including classes) shall be demonstrated by:

- initial type testing;
- factory production control by the manufacturer, including product assessment.

The manufacturer shall always retain the overall control and shall have the necessary means to take responsibility for the product.

6.2 Initial Type Testing – Type Testing

6.2.1 General

Initial type testing and type testing shall be performed to demonstrate compliance with this European Standard,

All essential characteristics for which the manufacturer declares performances, are subject to Initial Type Testing. In addition, the need to perform Type Tests applies to all other characteristics included in a standard when the manufacturer claims compliance, unless the standard gives provisions (e.g. use of previously existing data, Classified Without Further Testing (CWFT) and conventionally accepted performance) for declaring performances without performing tests.

Tests previously performed in accordance with the provisions of this European Standard, may be taken into account provided that they were made to the same or a more rigorous test method, under the same system of attestation of conformity on the same product or products of similar design, construction and functionality, such that the results are applicable to the product in question.

NOTE 1 Same system of attestation of conformity means testing by an independent third party under the responsibility of a product certification body.

For the purposes of testing, the manufacturer's products may be grouped into families, where it is considered that the results for one or more characteristics from any one product within the family are representative for that same characteristics for all products within that same family.

NOTE 2 Products may be in different families for different characteristics.

NOTE 3 Reference to the test method standards should be made to allow the selection of a suitable representative sample.

In addition, Type Tests or Initial Type Testing shall be performed for all characteristics included in the standard for which the manufacturer declares performances:

- at the beginning of the production of a new or modified hose reels with semi-rigid hose design (unless a member of the same family), or
- at the beginning of a new or modified method of production (where this may affect the stated properties),

they shall be repeated for the appropriate characteristic(s), whenever a change occurs in the hose reels with semi-rigid hose design, in the raw material or in the supplier of the components, or in the production process (subject to the definition of a family), which would affect significantly one or more of the characteristics.

Where components are used whose characteristics have already been determined, by the component manufacturer, on the basis of compliance with other product standards, these characteristics need not be reassessed. The specifications of these components shall be documented, as shall the inspection scheme for ensuring their compliance.

Products marked in accordance with appropriate harmonised European specifications may be presumed to have the performances stated with that marking, although this does not replace the responsibility of the hose reels with semi-rigid hose designer to ensure that the hose reels with semi-rigid hose as a whole is correctly designed and its components have the necessary performance values to meet the design.

6.2.2 Test samples

Test samples of the product shall be representative of the current production.

6.2.3 Test reports

All Type Tests, Initial Type Tests and their results shall be documented in test reports.

All test reports shall be retained by the manufacturer for at least 10 years after the last date of production of the hose reels with semi-rigid hose to which they relate.

6.3 Factory Production Control (FPC)

6.3.1 General

The manufacturer shall establish, document and maintain an FPC system to ensure that the products placed on the market comply with the stated performance characteristics.

The FPC system shall consist of written procedures, regular inspections and tests and/or assessments and the use of the results to control raw and other incoming materials or components, equipment, the production process and the product.

All the elements, requirements and provisions adopted by the manufacturer shall be documented in a systematic manner in the form of written policies and procedures.

This production control system documentation shall ensure a common understanding of conformity evaluation and enable the achievement of the required product characteristics and the effective operation of the production control system to be checked.

Factory production control therefore brings together operational techniques and all measures allowing maintenance and control of the compliance of the product with this technical specification.

6.3.2 Requirements

6.3.2.1 General

The manufacturer is responsible for organising the effective implementation of the FPC system.

Tasks and responsibilities in the production control organisation shall be documented and this documentation shall be kept up-to-date.

In each factory the manufacturer may delegate the action to a person having the necessary authority to:

- identify procedures to demonstrate conformity of the product at appropriate stages;
- identify and record any instance of non-conformity;
- identify procedures to correct instances of non conformity.

The manufacturer shall draw up and keep up-to-date documents defining the Factory Production Control which he applies.

The manufacturer's documentation and procedures should be appropriate to the product and manufacturing process.

The FPC system should achieve an appropriate level of confidence in the conformity of the product. This involves:

- (a) the preparation of documented procedures and instructions relating to factory production control operations, in accordance with the requirements of the technical specification to which reference is made;
- (b) the effective implementation of these procedures and instructions;
- (c) the recording of these operations and their results;
- (d) the use of these results to correct any deviations, repair the effects of such deviations, treat any resulting instances of non-conformity and, if necessary, revise the FPC to rectify the cause of non-conformity.

Where subcontracting takes place, the manufacturer shall retain the overall control of the product and ensure that he receives all the information that is necessary to fulfil his responsibilities according to this European Standard.

If the manufacturer has part of the product designed, manufactured, assembled, packed, processed and/or labelled by subcontracting, the FPC of the subcontractor may be taken into account, where appropriate for the product in question.

The manufacturer who subcontracts all of his activities may in no circumstances pass these responsibilities on to a subcontractor.

Manufacturers having an FPC system, which comply with EN ISO 9001 and which addresses the requirements of this European Standard are recognized as satisfying the FPC requirements of the Council Directive 89/106/EEC.

6.3.2.2 Personnel

The responsibility, authority and the relationship between personnel that manages, performs or verifies work affecting product conformity, shall be defined.

This applies in particular to personnel that need to initiate actions preventing product non-conformities from occurring, actions in case of non-conformities and to identify and register product conformity problems.

Personnel performing work affecting product conformity shall be competent on the basis of appropriate education, training, skills and experience for which records shall be maintained.

6.3.2.3 Equipment

6.3.2.3.1 Testing

All weighing, measuring and testing equipment shall be calibrated or verified and regularly inspected according to documented procedures, frequencies and criteria.

6.3.2.3.2 Manufacturing

All equipment used in the manufacturing process shall be regularly inspected and maintained to ensure use, wear or failure does not cause inconsistency in the manufacturing process.

Inspections and maintenance shall be carried out and recorded in accordance with the manufacturer's written procedures and the records retained for the period defined in the manufacturer's FPC procedures.

6.3.2.4 Raw materials and components

The specifications of all incoming raw materials and components shall be documented, as shall the inspection scheme for ensuring their compliance. In case supplied kit components are used, the attestation of conformity level of the component shall be that given in the appropriate harmonised technical specification for that component.

6.3.2.5 Design process

The factory production control system shall document the various stages in the design of the hose reels with semi-rigid hose, identify the checking procedure and those individuals responsible for all stages of design.

During the design process itself, a record shall be kept of all checks, their results, and any corrective actions taken.

This record shall be sufficiently detailed and accurate to demonstrate that all stages of the design phase, and all checks, have been carried out satisfactorily.

6.3.2.6 Controls during manufacturing process

The manufacturer shall plan and carry out production under controlled conditions.

6.3.2.7 Product testing and evaluation

The manufacturer shall establish procedures to ensure that the stated values of the characteristics he declares, are maintained.

6.3.2.8 Non complying products

The manufacturer shall have written procedures which specify how non-conforming products shall be dealt with.

Any such events shall be recorded as they occur and these records shall be kept for the period defined in the manufacturer's written procedures.

6.3.2.9 Corrective action

The manufacturer shall have documented procedures that instigate action to eliminate the cause of non-conformities in order to prevent recurrence.

6.3.2.10 Handling, storage and packaging

The manufacturer shall have procedures providing methods of product handling and shall provide suitable storage areas preventing damage or deterioration.

6.3.3 Product specific requirements

The FPC system shall:

— address this European Standard

and

— ensure that the products placed on the market comply with the stated performance characteristics.

The FPC system shall include a product specific FPC, which identifies procedures to demonstrate compliance of the product at appropriate stages, i.e.:

a) the controls and tests to be carried out prior to and/or during manufacture according to a frequency laid down in the FPC test plan,

and/or

b) the verifications and tests to be carried out on finished products according to a frequency laid down in the FPC test plan.

If the manufacturer uses only finished products, the operations under b) shall lead to an equivalent level of compliance of the product as if FPC had been carried out during the production.

If the manufacturer carries out parts of the production himself, the operations under b) may be reduced and partly replaced by operations under a). Generally, the more parts of the production that are carried out by the manufacturer, the more operations under b) may be replaced by operations under a).

In any case the operation shall lead to an equivalent level of compliance of the product as if FPC had been carried out during the production.

NOTE Depending on the specific case, it can be necessary to carry out the operations referred to under a) and b), only the operations under a) or only those under b).

The operations under a) refer to the intermediate states of the product as on manufacturing machines and their adjustment, and measuring equipment etc. These controls and tests and their frequency shall be chosen based on product type and composition, the manufacturing process and its complexity, the sensitivity of product features to variations in manufacturing parameters etc.

The manufacturer shall establish and maintain records that provide evidence that the production has been sampled and tested. These records shall show clearly whether the production has satisfied the defined acceptance criteria and shall be available for at least three years.

These records shall be available for inspection.

Where the product fails to satisfy the acceptance measures, the provisions for non-conforming products shall apply, the necessary corrective action shall immediately be taken and the products or batches not conforming shall be isolated and properly identified.

Once the fault has been corrected, the test or verification in question shall be repeated.

The results of controls and tests shall be properly recorded. The product description, date of manufacture, test method adopted, test results and acceptance criteria shall be entered in the records under the signature of the person responsible for the control/test.

With regard to any control result not meeting the requirements of this European Standard, the corrective measures taken to rectify the situation (e.g. a further test carried out, modification of manufacturing process, throwing away or putting right of product) shall be indicated in the records.

Individual products or batches of products and the related manufacturing documentation shall be completely identifiable and retraceable.

6.3.4 Initial inspection of factory and of FPC

Initial inspection of factory and of FPC shall be carried out when the production process has been finalized and in operation.

The factory and FPC documentation shall be assessed to verify that the requirements of 6.3.2 to 6.3.3 are fulfilled. During the inspection it shall be verified:

- a) that all resources necessary for the achievement of the product characteristics required by this European Standard are in place and correctly implemented, and
- b) that the FPC-procedures in accordance with the FPC documentation are followed in practice, and
- c) that the product complies with the initial type testing samples, for which compliance with this European Standard has been verified.

All locations where final assembly or at least final testing of the relevant product is performed, shall be assessed to verify that the above conditions a) to c) are in place and implemented.

If the FPC system covers more than one product, production line or production process, and it is verified that the general requirements are fulfilled when assessing one product, production line or production process, then the assessment of the general requirements does not need to be repeated when assessing the FPC for another product, production line or production process.

All assessments and their results shall be documented in the initial inspection report.

6.3.5 Continuous surveillance of FPC

Surveillance of the FPC shall be undertaken once a year.

The surveillance of the FPC shall include a review of the FPC test plan(s) and production processes(s) for each product to determine if any changes have been made since the last assessment or surveillance. The significance of any changes shall be assessed.

Checks shall be made to ensure that the test plans are still correctly implemented and that the production equipment is still correctly maintained and calibrated.

The records of tests and measurement made during the production process and to finished products shall be reviewed to ensure that the values obtained still correspond with those values for the samples submitted to type testing and that the correct actions have been taken for non-compliant devices.

6.3.6 Procedure for modifications

If modifications are made to the product, production process or FPC system that could affect any of the product characteristics required by this European Standard, then all the essential characteristics for which the manufacturer declares performance, which may be affected by the modification, shall be subject to Initial Type Testing except as described in 6.2.1 and 6.3.7.

Where relevant, a re-assessment of the factory and of the FPC system shall be performed for those aspects, which may be affected by the modification.

All assessments and their results shall be documented in a report.

6.3.7 One-off products, pre-production products (e.g. prototypes) and products produced in very low quantity

The hose reels with semi-rigid hose produced as a one-off, prototypes assessed before full production is established, and products produced in very low quantities (100 per year) are assessed as follows.

For type assessment, the provisions of 6.2.1, 3rd paragraph apply, together with the following additional provisions:

- in case of prototypes, the test samples shall be representative of the intended future production and shall be selected by the manufacturer;
- on request of the manufacturer, the results of the type assessment of prototype samples may be included in a certificate or in test reports issued by the involved third party.

The FPC system of one-off products and products produced in very low quantities shall ensure that raw materials and/or components are sufficient for production of the product. The provisions on raw materials and/or components shall apply only where appropriate.

The manufacturer shall maintain records allowing traceability of the product.

For prototypes, where the intention is to move to series production, the initial inspection of the factory and FPC shall be carried out before the production is already running and/or before the FPC is already in practice. The following shall be assessed:

- the FPC-documentation, and
- the factory.

In the initial assessment of the factory and FPC it shall be verified:

- a) that all resources necessary for the achievement of the product characteristics required by this European Standard will be available, and
- b) that the FPC-procedures in accordance with the FPC-documentation will be implemented and followed in practice, and

c) that procedures are in place to demonstrate that the factory production processes can produce a component complying with the requirements of this European Standard and that the component will be the same as the initial type testing samples, for which compliance with this European Standard has been verified.

Once series production is fully established, the provisions of 6.3 shall apply.

7 Marking

The hose reel shall be marked with the following information:

- a) manufacturer's name or trade mark, or both;
- b) number of this European Standard;
- c) year of manufacture;
- d) maximum working pressure;
- e) length and inside diameter of hose;
- f) nozzle equivalent diameter (marked on the nozzle).

NOTE Where regulatory marking covers the same information as this clause, the requirements of this clause are met.

8 Instruction

8.1 Instructions for use

Fire hose reel assemblies shall be provided with full operational instructions for display on or adjacent to the hose reel.

8.2 Installation and maintenance instructions

An installation manual specific for the hose reel shall be made available.

Maintenance procedures shall be as specified in EN 671-3.

Annex A (normative)

Schedule for testing sequence

NOTE See 6.2.

The following shall be carried out in the sequence given in Table A.1.

Table A.1 — Test sequence

| | Test/characteristic | Requirement clause ^a | Test method |
|----|---|---------------------------------|-------------|
| | Opening | | |
| 1 | Opening of manual inlet stop valve | 4.3.9 | - |
| 2 | Opening of automatic inlet stop valve | 4.3.10 | F.2 |
| | Durability aspects | | |
| 3 | Resistance to external corrosion on coated parts | 4.8.1 | Annex B |
| 4 | Resistance to corrosion of waterways | 4.8.2 | Annex D |
| 5 | Ageing tests for plastics materials | 4.8.3 | Annex C |
| | Hydraulic tests | | |
| 6 | Resistance to impact, for shut-off nozzle | 4.3.6 | E.1 |
| 7 | Operating torque, for shut-off nozzle | 4.3.7 | E.2 |
| 8 | Measurement of spray angle | 4.2.4 | E.3 |
| | Discharge performance | | |
| 9 | Minimum flow rate | 4.2.2 | E.4.1 |
| 10 | Effective throw range | 4.2.3 | E.4.2 |
| | Physical endurance | | |
| 11 | Rotating | 4.3.4 | F.2 |
| 12 | Swinging | 4.3.5 | F.3 |
| 13 | Unwinding load | 4.4.1 | F.4 |
| 14 | Dynamic braking | 4.4.2 | F.5 |
| 15 | Resistance to impact and load | 4.3.6 | F.6 |
| 16 | Resistance to internal pressure | 4.3.12 | F.7 |
| 17 | Strength | 4.3.13 | F.8 |
| | ^a Sampling, including number of the samples, and the conformity criteria for some characteristics are also given in these clauses. | | |

Annex B (normative)

Test method for resistance to external corrosion of coated parts

NOTE See 4.8.1 for requirement.

Prepare a rectangular test piece as shown in Figure B.1 of nominal size 150 mm × 100 mm with the same thickness as the material of which the product is made and with the protective coating of thickness not less than 0,8 times and not more than the thickness used in the product.

Use a steel scribe to mark a cross (see Figure B.1) through the protective coating until the underlying material appears. Place the test piece in a 5 % salt spray chamber for 240 h ± 8 h as specified in EN ISO 9227:2006. After the test, examine the test piece. Provided that not more than 2 mm of each side of the groove formed by the cross is detached, the coating has adequately protected the metal.

Dimensions in millimetres

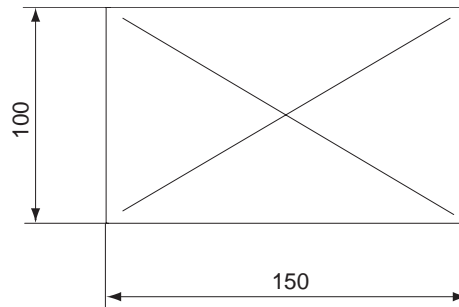


Figure B.1 — Corrosion test piece

Place the complete hose reel, without hose, in a 5 % salt spray chamber for 240 h ± 8 h as specified in EN ISO 9227:2006. After the test, check that the mechanical operation of all working parts is unimpaired and that there is no significant corrosion defects inside or outside. Significant corrosion defects are pits, cracks and blisters.

Annex C (normative)

Ageing test for resistance of plastics materials

NOTE See 4.8.3 for requirement.

Expose the plastics materials to light and water spray according to EN ISO 4892-2:2006, Method A Cycle 1. Xenon-arc sources:

— the total dose of exposure shall be 2 GJ/m².

Visually examine the materials for cracking and crazing.

Annex D (normative)

Test method for resistance to corrosion of waterways

NOTE 1 See 4.8.2 for requirement.

NOTE 2 The test may be carried out either using the complete hose reel or a partially assembled hose reel comprising of the complete waterways.

Fully fill the waterways from the inlet stop valve to the nozzle with a 1 % m/m solution of sodium chloride in demineralised water.

Store for 3 months \pm 5 days at a temperature of (20 ± 5) °C.

At the conclusion of the test, check that the mechanical operation of all working parts is unimpaired and that there are no significant corrosion defects on the inside or outside of the parts. Significant corrosion defects are pits, cracks and blisters.

Annex E (normative)

Test methods for nozzle

E.1 Resistance to impact

NOTE See 4.3.7 for requirement.

Carry out the test using a fully assembled hose reel. Fill the hose with water and pressurise to the maximum working pressure and unwind the hose so that it touches a concrete floor as shown in Figure E.1. Hold the nozzle in the closed position at $(1,5 \pm 0,05)$ m above the floor and allow it to drop freely 5 times without any initial force. Examine the nozzle for damage.

Dimensions in millimetres

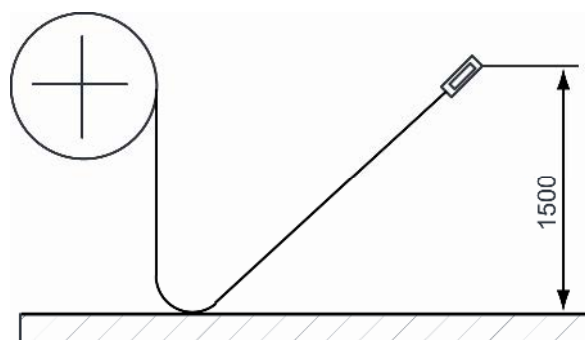


Figure E.1 — Arrangement for impact test

E.2 Operating torque

NOTE See 4.3.8 for requirement.

Carry out the test using a nozzle after the test in E.1. Secure the nozzle to a fixed support without interfering with its operation. Measure the operating torque at the maximum working pressure and check that the operating pressures do not exceed the appropriate values given in Table 2.

E.3 Spray discharge

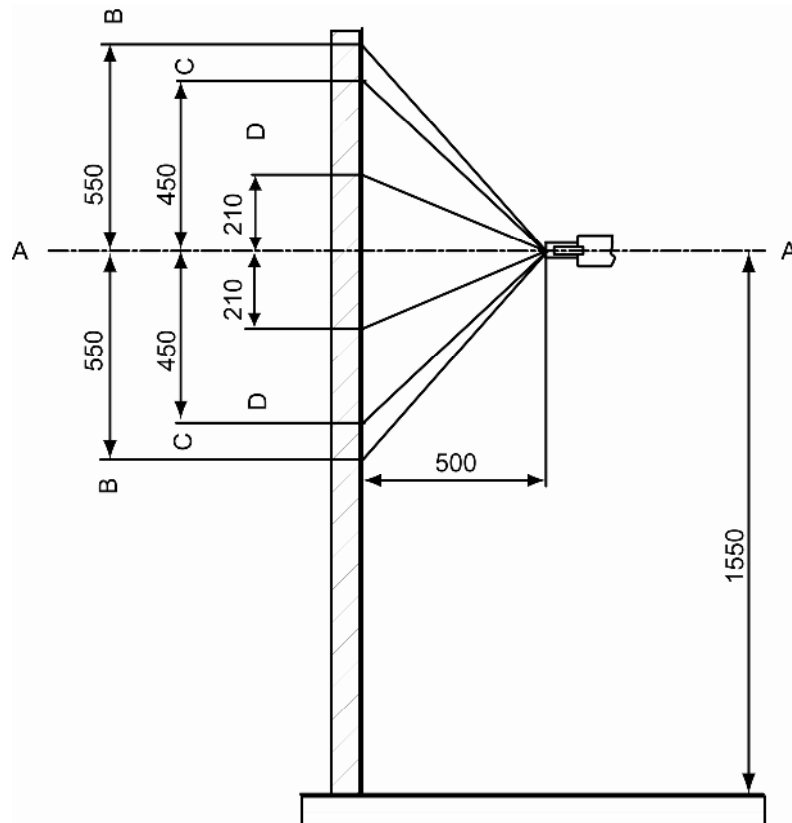
NOTE 1 See 4.2.4 for requirement.

Mount the nozzle horizontally on a fixed support at $(1,5 \pm 0,05)$ m above the ground in a draught-free zone (wind speed less than 2 m/s) and $(0,5 \pm 0,005)$ m from a vertical plate suitably marked as shown in Figure E.2.

Connect the water supply and adjust the incoming pressure to $(0,6 \pm 0,025)$ MPa. Adjust the nozzle to spray position and start the water discharge. Check that the discharge is as follows:

- a) for nozzles with a conical spray pattern, symmetrical about the A-A axis covering not less than the D-D zone all around the A-A axis, or
- b) for nozzles with a sheet spray pattern covering not more than the B-B zone and not less than the C-C zone on each side of the A-A axis.

Dimensions in millimetres



NOTE 2 Nozzle with conical spray pattern or nozzle with sheet spray pattern in vertical orientation.

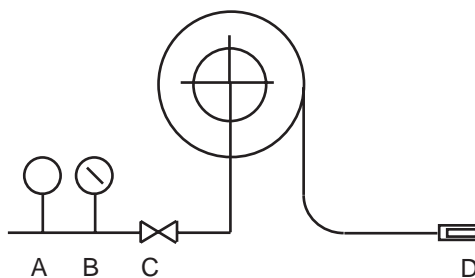
Figure E.2 — Test arrangement for measurement of spray discharge angle

E.4 Flow rate and throw range

E.4.1 Flow rate

NOTE See 4.2.2 for requirement.

Install the hose reel in accordance with the manufacturer's instructions, generally as shown in Figure E.3. Coil the filled hose on the reel ensuring that the stop valve, or where applicable automatic valve, is fully open leaving $(1 \pm 0,1)$ m of hose unwound. Measure and record the flow rate, Q , in spray and jet settings, as appropriate, at a pressure of $(0,6 + 0,025)$ MPa.



Components

| | |
|---|----------------|
| A | flow meter |
| B | pressure gauge |
| C | stop valve |
| D | nozzle |

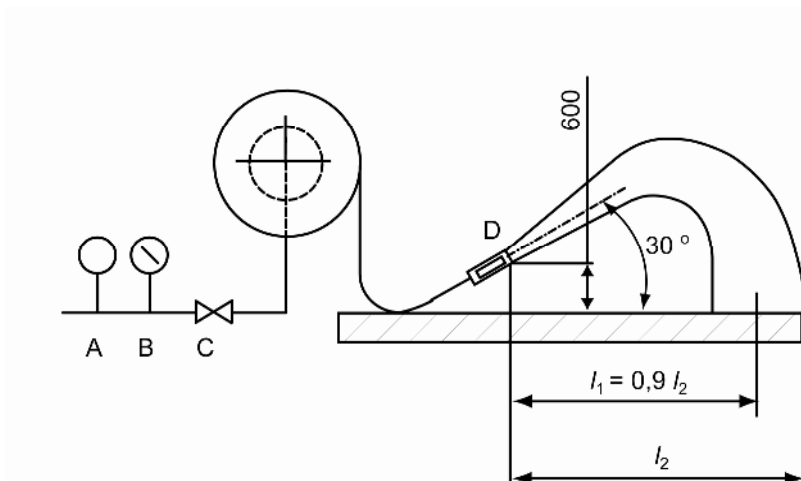
Figure E.3 — Test arrangement for measurement of flow rate

E.4.2 Throw range

NOTE See 4.2.3 for requirement.

Mount the nozzle to a support tilted at 30° to the ground with the discharge outlet ($0,6 \pm 0,01$) m above the ground generally as shown in Figure E.4. Adjust the inlet pressure to ($0,2 \pm 0,025$) MPa at the inlet valve. With the nozzle in the appropriate (jet or spray) position, measure the effective throw of water. Test nozzles with a conical spray angle at the minimum spray angle. Measure the effective range as $0,9 \times$ the maximum range.

Dimensions in millimetres



Components

- | | |
|-------|-----------------|
| A | flow meter |
| B | pressure gauge |
| C | stop valve |
| D | nozzle |
| l_1 | effective range |
| l_2 | maximum range |

Figure E.4 — Test arrangement for measurement of throw range

Annex F (normative)

Test methods for physical endurance

F.1 General

For the tests F.2 to F.7 inclusive, mount the hose reel fitted with the maximum length of hose on a fixed support 1,5 m above a concrete floor and in an ambient room temperature of (20 ± 5) °C. Fill the reel completely with water and pressurise it to the appropriate maximum working pressure specified in Table 2.

F.2 Test method for rotation

NOTE See 4.3.3 and 4.3.4 for requirement.

Set up the hose reel as described in F.1 and with the hose coiled on the reel. Rotate the reel for 3 000 rotations at a rate of 30 r/min. For hose reels fitted with automatic valves, change the direction of rotation (clockwise/anticlockwise) every 25 rotations. Automatic valves shall open fully after maximum three complete revolutions. Observe any leakages.

F.3 Test method for swinging

NOTE See 4.3.5 for requirement.

Set up the hose reel as described in F.1. Swing the hose reel 1 000 times from 0° (the stored position) to the hose reels maximum swing at a nominal rate of 1 swing per 4 s.

F.4 Test method for unwinding load

NOTE See 4.4.1 for requirement.

Set up the hose reel as described in F.1. For hose reels capable of rotating only in one plane, fit the hose guide according to the manufacturer's instruction. Use a dynamometer to measure the following forces:

- a) force to start rotation of the reel, and
- b) maximum force to start rotation of the reel when pulling the hose horizontally through a hose guide, and
- c) maximum force to pull out the entire hose on a concrete floor.

F.5 Test method for dynamic braking

NOTE See 4.4.2 for requirement.

Set up the hose reel as described in F.1. Unwind approximately 5 m of the hose at a rate of approximately 1 m/s. Stop the unwinding and check that rotation of the reel stops within one revolution.

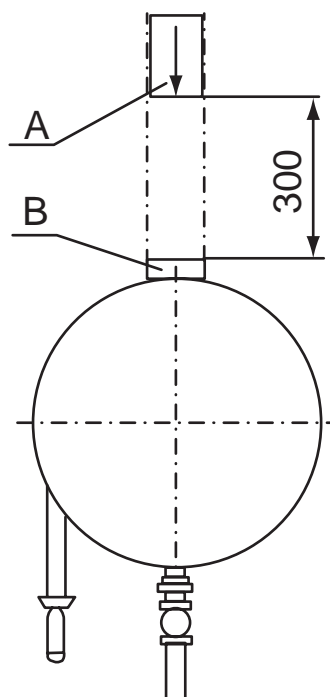
F.6 Test method for resistance to impact and load

F.6.1 Impact test

NOTE See 4.3.6 for requirements.

Rest a steel bridge of 100 mm × 25 mm centrally across the two reel wheels and vertically above the centreline of the spindle. Mount a steel cylindrical hammer with flat faces, approximately 125 mm in diameter and with a mass of $(25 \pm 0,1)$ kg, in guides above the steel bridge so that it falls freely from a height of (300 ± 5) mm to strike the steel bridge midspan between the two plates. Figure F.1 shows the test arrangement. Examine the reel and hose fittings at the reel inlet and outlet for damage.

Dimensions in millimetres



Components

- | | |
|---|--------------|
| A | steel hammer |
| B | steel bridge |

Figure F.1 — Test arrangement for impact test

F.6.2 Load test

NOTE See 4.3.6 for requirements.

After the test in F.6.1, unwind the hose completely. Apply a mass of $(75 \pm 0,1)$ kg by means of a device fitted to the hose during 5 min at 500 mm from the reel outlet according to Figure F.2. Examine the reel and hose fitting at the reel inlet and outlet for damage.

Dimensions in millimetres

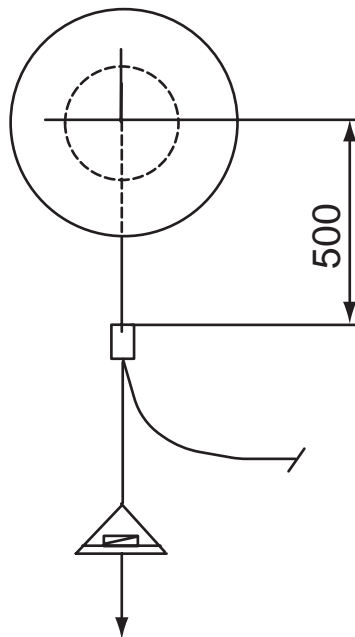
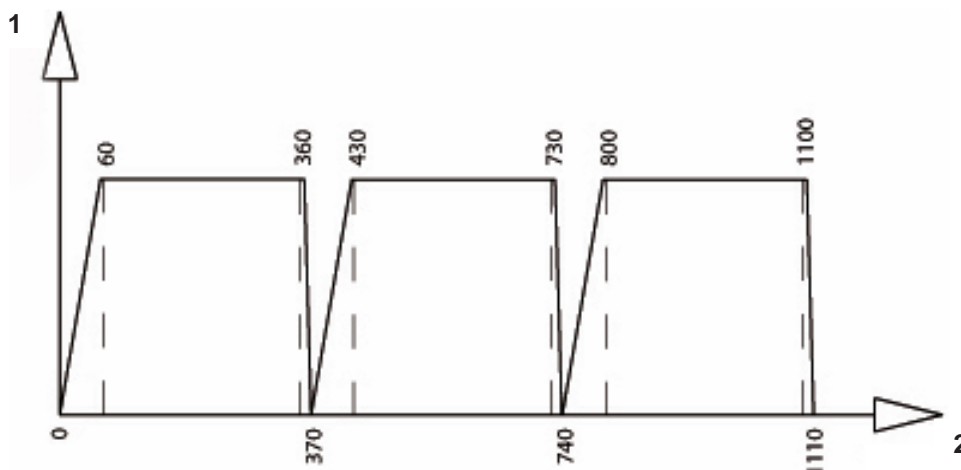


Figure F.2 — Test arrangement for load test

F.7 Test method for resistance to internal pressure

NOTE See 4.3.12 and 5.3.10 for requirements.

Set up the hose reel, generally as shown in Figure F.1. Release the internal pressure. Raise the pressure (over a period of about 60 s) to the test pressure according to Table 2. Hold the pressure for (300 ± 5) s. Release the pressure (over a period of about 10 s). Carry out the cycle 2 more times. Examine for leakage.



Key

- 1 pressure, in MPa
- 2 time, in s

Figure F.3 — Test arrangement for non-destruction test

F.8 Test method for strength

NOTE See 5.3.11 for requirement.

Remove the hose and nozzle from the reel and blank off the reel outlet. Pressurise the reel hydraulically to the appropriate minimum burst pressure given in Table 2 and hold the pressure for (65 ± 5) s. Check that the hose reel has not burst.

Annex ZA (informative)

Clauses of this European Standard addressing the provisions of EU Construction Products Directive

ZA.1 Scope and relevant characteristics

This European Standard has been prepared under a mandate M/109 "Fire alarm/detection, fixed firefighting, fire and smoke control and explosion suppression products", as amended by M/139, given to CEN by the European Commission and the European Free Trade Association.

The clauses of this European Standard shown in this annex meet the requirements of the mandates given under the EU Construction Products Directive (89/106/EEC).

Compliance with these clauses confers a presumption of fitness of the hose reels with semi-rigid hose covered by this annex for the intended uses indicated herein; reference shall be made to the information accompanying the CE marking.

WARNING Other requirements and other EU Directives, not affecting the fitness for intended use, can be applicable to the hose reels with semi-rigid hose falling within the scope of this European Standard.

NOTE 1 In addition to any specific clauses relating to dangerous substances contained in this standard, there may be other requirements applicable to the products falling within its scope (e.g. transposed European legislation and national laws, regulations and administrative provisions). In order to meet the provisions of the EU Construction Products Directive, these requirements need also to be complied with, when and where they apply.

NOTE 2 An informative database of European and national provisions on dangerous substances is available at the Construction web site on EUROPE (accessed through <http://ec.europa.eu/enterprise/construction/cpd-ds/>).

This annex establishes the conditions for the CE marking of the hose reels with semi-rigid hose intended for the use indicated in Table ZA.1 and shows the relevant clauses applicable.

This annex has the same scope as Clause 1 of this standard related to the aspect covered by the mandate and is defined by Table ZA.1.

Table ZA.1 — Relevant clauses

| Construction product: Hose reel with semi-rigid hose | | | |
|--|---|-----------------------|--|
| Intended use: Fixed installations to provide the occupants of a building the means to control and extinguish a fire nearby. | | | |
| Essential characteristics | Requirement clauses in this European Standard | Levels and/or classes | Notes |
| DISTRIBUTION OF EXTINGUISHING MEDIA with: | | | |
| — Hose bore | 4.2.1 | | a) verification according to 5.3.1, b) expressed as "pass/fail" |
| — Minimum flow rate | 4.2.2 | - | a) test according to E.4.1, b) expressed as Q according to Table 1 |
| — Effective throw range | 4.2.3 | - | a) test according to E.4.2, b) according to one of the three types of discharge of water at pressure 0,2 MPa expressed as "pass/fail" |
| — Spray discharge | 4.2.4 | - | a) test according to E.3, b) according to one of two types of spray of water expressed as "pass/fail" |
| OPERATIONAL RELIABILITY with: | | | |
| — Reel – Construction | 4.3.3 | - | a) verification according to 5.3.3, b) expressed as "pass/fail" |
| — Reel – Rotating | 4.3.4 | - | a) test according to F.2 b) expressed as "pass/fail" |
| — Reel – Swinging | 4.3.5 | - | a) test according to F.3 b) expressed as "pass/fail" |
| — Reel – Resistance to impact | 4.3.6 | - | a) test according to F.6.1 b) expressed as "pass/fail" |
| — Reel – Resistance to load | 4.3.6 | - | a) test according to F.6.2 b) expressed as "pass/fail" |
| — Hose – General | 4.3.1 | - | a) verification of compliance with EN 694 b) expressed as "pass/fail" |
| — Shut-off nozzle – General | 4.3.2 | - | a) verification according to 5.6 b) expressed as "pass/fail" |
| — Shut-off nozzle – Resistance to impact | 4.3.7 | - | a) test according to E.1 b) expressed as "pass/fail" |
| — Shut-off nozzle – Operating torque | 4.3.8 | - | a) test according to E.2 b) expressed as "pass/fail" |
| — Inlet stop valve – General | 4.3.9 | - | a) verification according to 5.3.9 b) expressed as "pass/fail" |
| — Inlet stop valve – Manual inlet stop valve | 4.3.10 | - | a) verification according to 5.3.10 b) expressed as "pass/fail" |

| | | | |
|--|--------|---|--|
| — Inlet stop valve - Automatic inlet stop valve | 4.3.11 | - | a) test according to F.2 b) expressed as "pass/fail" |
| — Hydraulic properties – Resistance to internal pressure | 4.3.12 | - | a) test according to F.7 b) expressed as "pass/fail" |
| — Hydraulic properties – Strength | 4.3.13 | - | a) test according F.8 b) expressed as "Maximum working pressure" according to Table 2 |
| ABILITY TO PULL OUT THE HOSE with: | | | |
| — Reel - Unwinding load | 4.4.1 | - | a) test according to F.4 b) expressed as "pass/fail" |
| — Reel - Dynamic breaking | 4.4.2 | - | a) test according to F.5 b) expressed as "pass/fail" |
| — Hose - Maximum length | 4.4.3 | - | a) check according to 5.4.3 b) expressed as "pass/fail" |
| DURABILITY OF OPERATIONAL RELIABILITY with: | | | |
| — resistance to corrosion of coated parts | 4.8.1 | - | a) test according to Annex B b) expressed as "pass/fail" |
| — resistance to corrosion of waterways | 4.8.2 | - | a) test according to Annex D b) expressed as "pass/fail" |
| — ageing tests for plastics materials | 4.8.3 | - | a) test according to Annex C b) expressed as "pass/fail" |
| DANGEROUS SUBSTANCES. See Notes 1 and 2 in ZA.1. | | | |

The requirement on a certain characteristic is not applicable in those Member States (MSs) where there are no regulatory requirements on that characteristic for the intended use of the product. In this case, manufacturers placing their products on the market of these MSs are not obliged to determine nor declare the performance of their products with regard to this characteristic and the option "No performance determined" (NPD) in the information accompanying the CE marking (see ZA.3) may be used. The NPD option may not be used, however, for durability and where the characteristic is subject to a threshold level.

ZA.2 Procedure for the attestation of conformity of hose reel with semi-rigid hose

ZA.2.1 System of attestation of conformity

The system of attestation of conformity of hose reels with semi-rigid hose indicated in Table ZA.1 in accordance with the EC Decision 1996/577/EC (*OJEU L 254 of 1996-10-08*), as amended by EC Decision 2002/592/EC (*OJEU L 192 of 2002-07-20*), as given in Annex III of the Mandates for fire alarm/detection, fixed firefighting, fire and smoke control and explosion suppression products, is shown in Table ZA.2 for the indicated intended use and relevant level or class.

Table ZA.2 — System of attestation of conformity

| Product | Intended use | Level(s) or class(es) | Attestation of conformity system |
|--|--------------|-----------------------|----------------------------------|
| First aid hose systems-kits | Fire safety | | 1 ^a |
| ^a System 1: See Council Directive 89/106/EEC (CPD) Annex III.2 (i), without audit testing of samples. | | | |

The attestation of conformity of the hose reel with semi-rigid hose in Table ZA.1 shall be based on the evaluation of conformity procedures indicated in Table ZA.3 resulting from application of the clauses of this or European Standard indicated therein.

Table ZA.3 — Assignment of evaluation of conformity tasks for hose reel with semi-rigid hose under system 1

| Tasks | | Content of the task | Evaluation of conformity clauses to apply |
|--|---|--|---|
| Tasks under the responsibility of the manufacturer | Factory production control (FPC) | Parameters related to essential characteristics of Table ZA.1 relevant for the intended use which are declared | 6.3.1 to 6.3.3 and 6.3.6 |
| | Further testing of samples taken at factory according to the prescribed test plan | Essential characteristics of Table ZA.1 relevant for the intended use which are declared | 6.3.1 to 6.3.3 and 6.3.6 |
| Tasks under the responsibility of the product certification body | Initial type testing (ITT) | Essential characteristics of Table ZA.1 relevant for the intended use which are declared | 6.2 |
| | Initial inspection of factory and of FPC | Parameters related to essential characteristics of Table ZA.1 relevant for the intended use which are declared. Documentation of the FPC | 6.3.4 |
| | Continuous surveillance, assessment and approval of FPC | Parameters related to essential characteristics of Table ZA.1 relevant for the intended use which are declared and documentation of FPC | 6.3.5 |

ZA.2.2 EC certificate of conformity

When compliance with the conditions of this annex is achieved, the notified certification body shall draw up the EC certificate of conformity, which entitles the manufacturer to affix the CE marking. The EC certificate of conformity shall include:

- name, address and identification number of the notified certification body;
- name and address of the manufacturer, or his authorised representative established in the EEA, and place of production;

NOTE The manufacturer may also be the person responsible for placing the product onto the EEA market, if he takes responsibility for CE marking.

- description of the product (type, identification, use);
- provisions to which the product conforms (i.e. Annex ZA of this EN);
- particular conditions applicable to the use of the product (e.g. provisions for use under certain conditions);
- the number of the EC certificate;
- conditions of validity of the certificate, where applicable;
- name of, and position held by, the person empowered to sign the certificate.

The above mentioned EC certificate of conformity shall be presented in the official language or languages of the Member State in which the product is intended to be used.

ZA.3 CE marking and labelling


The manufacturer or his authorised representative established within the EEA is responsible for the affixing of the CE marking. The CE marking symbol to affix shall be in accordance with Directive 93/68/EEC. The CE marking, followed by the identification number of the certification body, shall be shown on the hose reel with semi-rigid hose itself. If, however, the space available does not allow all the information accompanying the CE marking to be shown on the hose reel itself, the CE-marking, including all the information following it and accompanying it shall appear on the commercial documents accompanying the product. The following information shall follow and accompany the CE marking symbol:

- a) name or identification number of the notified certification body;
- b) name or identifying mark of the manufacturer (see Note in ZA.2.2);
- c) the last two digits of the year in which the marking was affixed;
- d) number of the EC certificate of conformity;
- e) reference to this European Standard;
- f) description of the product and its intended use:
 - generic name;
 - hose inside diameter (mm) and length (m);
 - nozzle type (i.e. jet, sheet and/or conical);

- angle of conical spray (if greater than 45°);
- nozzle equivalent diameter;
- essential characteristics listed in Table ZA.1, which are to be declared presented as indicated in Table ZA.1.

The “No performance determined” (NPD) option may not be used for durability and where the characteristic is subject to a threshold level. Otherwise, the NPD option may be used when and where the characteristic, for a given intended use, is not subject to regulatory requirements in the Member State of destination.

Figure ZA.1 gives an example of the CE marking to appear on each hose reel with semi-rigid hose.

| | |
|---|--------------------------------|
|  01234 | |
| Any Co Ltd 12 01234-CPD-00234 | |
| EN 671-1:2012 Hose reel with semi-rigid hose | |
| - hose inside diameter: - hose length: - nozzle type: - nozzle diameter: Fixed installation to provide occupants of a building the means to control and extinguish a fire nearby | 25 mm 30 m Sheet 8 mm |
| DISTRIBUTION OF EXTINGUISHING MEDIA: — Hose bore: <i>Pass</i> — Minimum flow rate: 39 l/min at 0,2 MPa <i>D8</i> — Effective throw range: <i>Pass</i> — Spray discharge: <i>Pass</i> OPERATIONAL RELIABILITY: — Hose, General: <i>Pass</i> — Shut-off nozzle, General: <i>Pass</i> — Reel - Construction: <i>Pass</i> — Reel - Rotating: <i>Pass</i> — Reel - Swinging: <i>Pass</i> — Reel - Resistance to impact: <i>Pass</i> — Reel - Resistance to load: <i>Pass</i> — Hose - General: <i>Pass</i> — Shut-off nozzle - General: <i>Pass</i> — Shut-off nozzle - Resistance to impact: <i>Pass</i> — Shut-off nozzle - Operating torque: <i>Pass</i> — Inlet stop valve - General: <i>Pass</i> — Inlet stop valve - Manual inlet stop valve: <i>Pass</i> — Inlet stop valve - Automatic inlet stop valve: <i>Pass</i> — Hydraulic properties - Resistance to internal pressure: <i>Pass</i> — Hydraulic properties – Strength: <i>Pass</i> ABILITY TO PULL OUT THE HOSE WITH: — Reel - Unwinding load: <i>Pass</i> — Reel - Dynamic breaking: <i>Pass</i> — Hose - Maximum length: <i>Pass</i> DURABILITY OF OPERATIONAL RELIABILITY WITH: — Resistance to corrosion of coated parts: <i>Pass</i> — Resistance to corrosion of waterways: <i>Pass</i> — Ageing tests for plastics materials: <i>Pass</i> | |

*CE symbol given in Directive 93/68/EEC
Identification number of the notified product certification body*

*Name or identifying mark of the manufacturer
NOTE Registered address of the manufacturer may be added.*

Last two digits of the year in which the marking was affixed

Number of the EC certificate of conformity

No. of European Standard and year of its publication

Description of product and its intended use

Information on essential characteristics

Figure ZA.1 — Example of the CE marking to be shown on the hose reel with semi-rigid hose

In addition to any specific information relating to dangerous substances shown above, the product should also be accompanied, when and where required and in the appropriate form, by documentation listing any other legislation on dangerous substances for which compliance is claimed, together with any information required by that legislation.

NOTE 1 European legislation without national derogations need not be mentioned.

NOTE 2 Affixing the CE marking symbol means, if a product is subject to more than one directive, that it complies with all applicable directives.

British Standards Institution (BSI)

BSI is the independent national body responsible for preparing British Standards and other standards-related publications, information and services. It presents the UK view on standards in Europe and at the international level.

BSI is incorporated by Royal Charter. British Standards and other standardisation products are published by BSI Standards Limited.

Revisions

British Standards and PASs are periodically updated by amendment or revision. Users of British Standards and PASs should make sure that they possess the latest amendments or editions.

It is the constant aim of BSI to improve the quality of our products and services. We would be grateful if anyone finding an inaccuracy or ambiguity while using British Standards would inform the Secretary of the technical committee responsible, the identity of which can be found on the inside front cover. Similar for PASs, please notify BSI Customer Services.

Tel: +44 (0)20 8996 9001 Fax: +44 (0)20 8996 7001

BSI offers BSI Subscribing Members an individual updating service called PLUS which ensures that subscribers automatically receive the latest editions of British Standards and PASs.

Tel: +44 (0)20 8996 7669 Fax: +44 (0)20 8996 7001

Email: plus@bsigroup.com

Buying standards

You may buy PDF and hard copy versions of standards directly using a credit card from the BSI Shop on the website www.bsigroup.com/shop. In addition all orders for BSI, international and foreign standards publications can be addressed to BSI Customer Services.

Tel: +44 (0)20 8996 9001 Fax: +44 (0)20 8996 7001

Email: orders@bsigroup.com

In response to orders for international standards, BSI will supply the British Standard implementation of the relevant international standard, unless otherwise requested.

Information on standards

BSI provides a wide range of information on national, European and international standards through its Knowledge Centre.

Tel: +44 (0)20 8996 7004 Fax: +44 (0)20 8996 7005

Email: knowledgecentre@bsigroup.com

BSI Subscribing Members are kept up to date with standards developments and receive substantial discounts on the purchase price of standards. For details of these and other benefits contact Membership Administration.

Tel: +44 (0)20 8996 7002 Fax: +44 (0)20 8996 7001

Email: membership@bsigroup.com

Information regarding online access to British Standards and PASs via British Standards Online can be found at www.bsigroup.com/BSOL

Further information about British Standards is available on the BSI website at www.bsi-group.com/standards

Copyright

All the data, software and documentation set out in all British Standards and other BSI publications are the property of and copyrighted by BSI, or some person or entity that own copyright in the information used (such as the international standardisation bodies) has formally licensed such information to BSI for commercial publication and use. Except as permitted under the Copyright, Designs and Patents Act 1988 no extract may be reproduced, stored in a retrieval system or transmitted in any form or by any means – electronic, photocopying, recording or otherwise – without prior written permission from BSI. This does not preclude the free use, in the course of implementing the standard, of necessary details such as symbols, and size, type or grade designations. If these details are to be used for any other purpose than implementation then the prior written permission of BSI must be obtained. Details and advice can be obtained from the Copyright & Licensing Department.

Tel: +44 (0)20 8996 7070

Email: copyright@bsigroup.com

BSI

389 Chiswick High Road London W4 4AL UK

Tel +44 (0)20 8996 9001

Fax +44 (0)20 8996 7001

www.bsigroup.com/standards